

■ 59TYD-4A

Features:

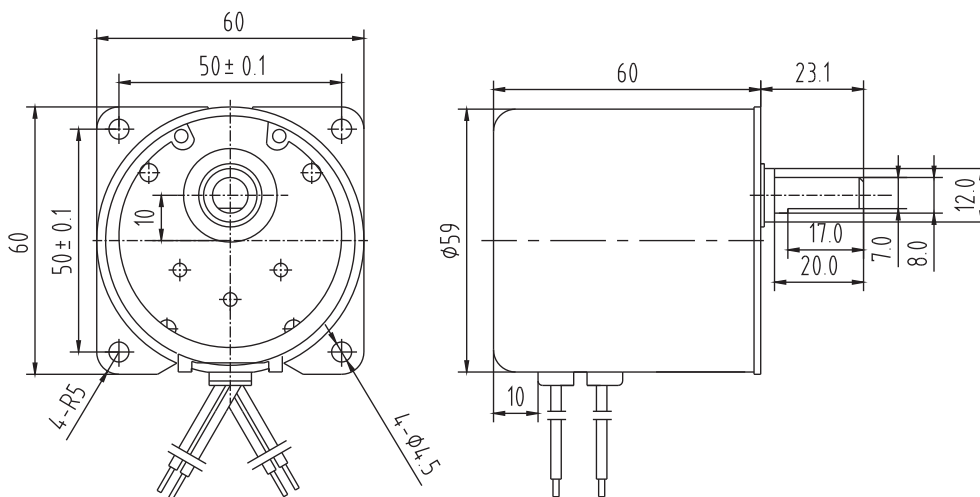
- Gear box inside designed
- High torque and efficiency with low noise, light weight
- Speed state invariable not effected by voltage under rated frequency
- Winding will not ruin when motor over loading or abrupt stop running

Applications:

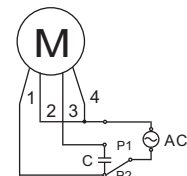
- Auto Mahjong Machine, Electric-drive airer, Airbreak Switch,
- Valve Driver, Vending Machine, Blending Machine



■ Drawing



■ Wire connecting



Voltage wire	24V	110V	220V
1	Red	Yellow	Black
2	Black	Red	Yellow
3	Yellow	Black	Red
4	Black	Red	Yellow

- Above are basic wire colors. customization also welcome.

■ Specification

ITEM	DATA		
Rated Voltage (V)	24	110	220
Rated Frequency (Hz)	50/60		
Input Power (W)	<16		
Input Current (A)	<0.3	<0.065	<0.032
Output Power (W)	4		
Noise (db)	<40		
Rotate direction	CW / CCW / Bi-directional		

■ Safety

ITEM	DATA
Insulation resistance	DC500V 100M Ohms
Insulation str.	AC1500V 50Hz/min(220V motor)
Insulation class	E(105 C)/B(130 C)
Environment	Temp:-10 C~+40 C / Humidity:<85%
Protection	Impedance
Certification	RoHS CE CCC

- If need running under low temp between(-40 C~-15 C) please notify us.

■ Speed&Torque

Speed (RPM)	Working style	1.6	2	2.5	3	4	5	8	10	12	15	20	25	30	50	60	99	
Torque (kgf.cm / lb-in)	S1 continuous	>80/70	>80/70	>80/70	80/70	60/52.2	50/43.5	30/26	25/21.8	20/17.4	16/13.9	12/10.4	10/8.7	8/7	5/4.35	4.5/3.9	2.5/2.17	
	S2 15 minutes	If discontinuous running, low speed motor can output Max torque of 150kgf.cm										29/25.2	22/19.1	17/14.8	15/13	9/7.8	7/6	4.5/3.5
	S2 5 minutes	This item is for customization, feel free to contact us for details										35/30.5	26/22.6	21/18.2	17.5/15.2	10.5/9.1	8.8/7.7	5.3/4.6

- Above datas are from motors under 50Hz. If under 60Hz, SpeedX1.2, Torque /1.2
- Other speed and torque needed, please contact our sales department

For more detailed information, feel free to contact us.
Tel:86-574-88269898 Fax:86-574-56664788 export@fengtech.com